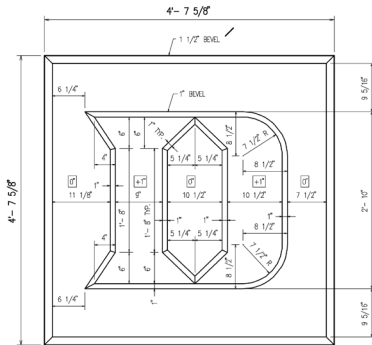


Duke UNIVERSITY

A101420

SIGNAGE



PRECAST CONCRETE DECORATIVE SIGNAGE

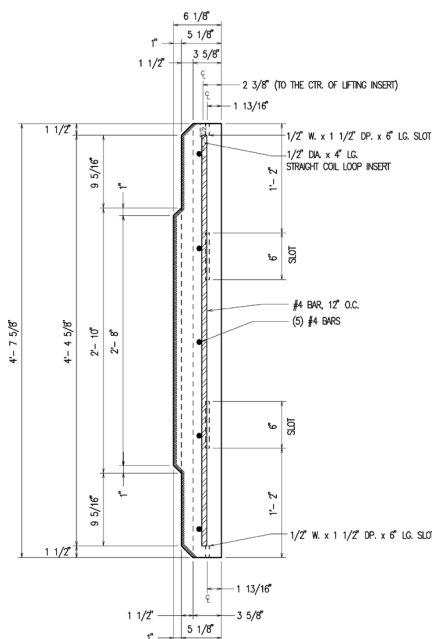
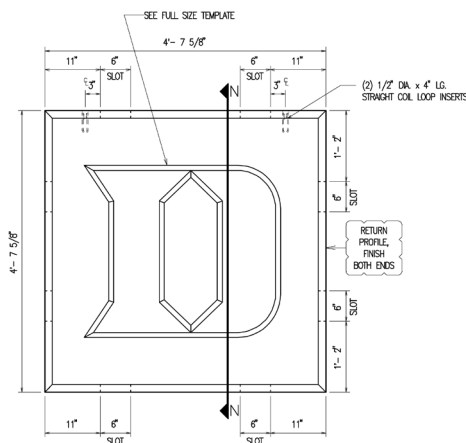
Weight: 1413 lbs.

Length: 4' 7 5/8"

#4 Bar 49 Linear Ft

Product is made from concrete design mix of 6500 PSI. All dowel holes and slot connections to be filled with high-strength grout. All steel shims to be welded in place.

Should the product require cleaning, use only clear, clean water with mild soap and fiber brushes. Under no circumstances shall the product come in contact with prepared detergents or cleaning acids. Exposing the product to corrosive/ de-icing materials will create premature deterioration.



SUN PRECAST COMPANY, INC

4051 Ridge Rd
Beaver Springs, PA 17812

P: (570) 658-8000

F: (570) 658-8008

sales@sunprecast.com

www.sunprecast.com